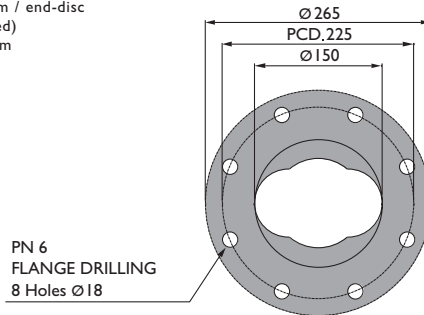


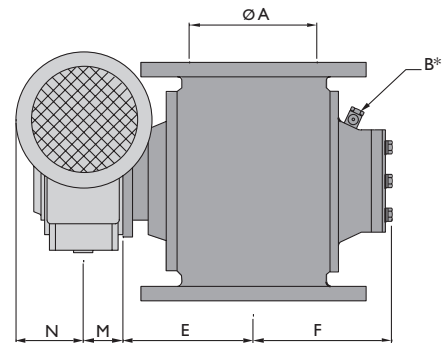
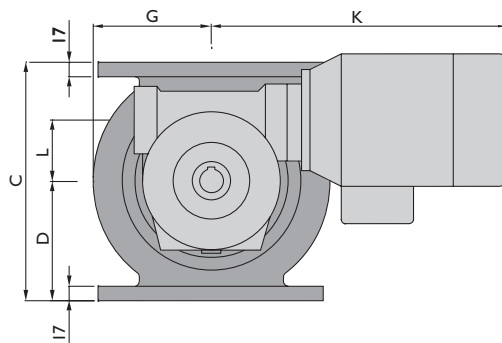
DMN-WESTINGHOUSE

Note:
 Rotor size 80-100 (Solid)
 6 rounded pocket form / end-disc
 Rotor size 150 (Fabricated)
 8 rounded pocked form

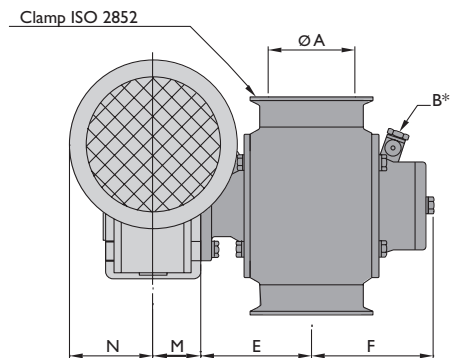
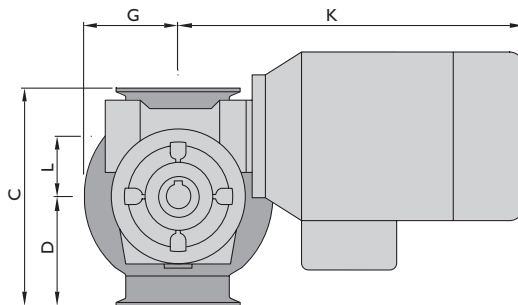
Technical modifications are possible, dimensions in mm SAL.M.01.01.C



SAL 150



SAL 80/100



DMN-WESTINGHOUSE have been designing and manufacturing rotary valves, diverter valves and other related components for the bulk solids handling industry for more than 30 years. Offering tailor made solutions for chemical, food, plastics and pharmaceutical industries, DMN-WESTINGHOUSE products are distributed world-wide. Besides an extensive range of standard components, we supply USDA approved sanitary versions and explosion-proof models. An extensive network of subsidiaries, distributors and representatives ensures a high level of service and support all over the world.

| Type SAL | Ltr/rev | ØA | SIZE | B* | C | D | E | F | G |
|----------|---------|------|-------|---------|-----|-----|-----|-------|-----|
| 80 | 0,25 | 72,9 | 76,1 | Ø6-1/8" | 160 | 80 | 82 | 95 | 70 |
| 100 | 0,8 | 97,6 | 101,6 | Ø6-1/8" | 210 | 105 | 105 | 115 | 95 |
| 150 | 2,5 | 150 | | Ø8-1/4" | 280 | 140 | 154 | 162,5 | 139 |

*Optie luchtaansluiting.
 Option airpurge.
 Option Luftabdichtung.
 Option insufflation d'air.
 Opzione flussaggio

| Type SAL | Bonfiglioli drive | K | L | M | N |
|----------|-------------------|-----|------|----|----|
| 80 | VF44P | 255 | 44,6 | 35 | 62 |
| 100 | VF49P | 260 | 49,5 | 37 | 62 |
| 150 | VF72P | 349 | 72 | 46 | 78 |

| SEW drive | K | L | M | N |
|-----------|-----|----|------|------|
| WA20 | 250 | 23 | 47,5 | 66 |
| WA30 | 261 | 30 | 58 | 72,5 |

Head Office:
DMN Machinefabriek Noordwykerhout B.V.
 P.O. Box 6, 2210 AA Noordwijkerhout, Holland
 Tel. +31 252 361 800 Fax +31 252 375 972/934
 E-mail: dmn@dmn-nwh.nl

Internet: www.dmn.info



© DMN - HOLLAND - 2002

Subsidiaries:
DMN U.K. Ltd.
 Unit 1&2, Harris Road,
 Porte Marsh Industrial Estate
 Calne, Wiltshire, SN 11 9PT, U.K.
 Tel. +44 1249 818 400
 Fax +44 1249 818 410
 E-mail: dmn@dmnuk.com

DMN Schüttguttechnik GmbH
 Rütgerstrasse 8
 D-21244 Buchholz i.d. Ndh, Germany
 Tel. +49 4181 931 40
 Fax +49 4181 931 490
 E-mail: dmn@dmn-schuetttguttechnik.de

DMN Italia S.r.l.
 Via Teresa Noce, 2
 20060 Pessano Con Bornago (MI), Italy
 Tel. +39 02 950 4747
 Fax +39 02 950 4775
 E-mail: dmn@dmnitaly.com

DMN Incorporated
 3895 South Perkins Road, Suite 8
 Memphis, TN 38118, U.S.A.
 Tel. +1 901 360 1537
 Fax +1 901 360 0348
 E-mail: dmnfo@dmn-inc.com

DMN-WESTINGHOUSE

- For sanitary use
- Easy detachable rotor
- Low capacity
- Complete valve highly polished (inside and outside)
- Product surfaces FDA* approved
- Maximum product temperature up to 100 °C
- System pressure up to 1 bar g



SAL Small Sanitary Valve

The DMN-WESTINGHOUSE SAL (Sanitary Air Lock) is a low capacity rotary valve with a highly polished surface on both the inside and outside. This valve is specially designed for metering purposes in applications where very high hygienic standards, ease of operation and cleaning are required. Therefore the SAL is very suitable for use in the pharmaceutical, food and chemical industries.

The valve is machined from solid stainless steel, not cast material. The complete valve can be dismantled for inspection and cleaned in a matter of minutes, thus reducing eventual downtime and production loss.

Product information

The SAL is available in three sizes: DN80, DN100 and DN150, with capacities of 0.25, 0.8 and 2.5 ltr/rev. The valve sizes 80 and 100 are made from solid DIN 1.4404 (AISI 316L) stainless steel, and have an easy detachable full end disc rotor with 6 rotor pockets and tri-clamp flange connections. The SAL 150 is the same as the sizes 80 and 100 except that the rotor is of a fabricated open end design (Daibi rotor) and the flange connections are DN150 (6") drilled according to PN 6.

The standard version has an easy detachable rotor, inboard bearings and a direct drive with PTFE lip seals for the shaft sealing. The standard versions are suitable for handling products up to 100 °C and a system pressure of 1 bar g.

Optional are an air motor or DC motor, as well as an air purge rotor shaft sealing. Other variations on the standard valve configuration are available on request.

* Food and Drugs Administration